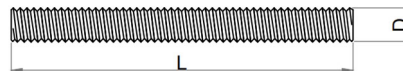


DIN 975 Full Threaded Rods**DIN 975 Gewindestangen****DIN 975 Tige filetée****DIN 975 Barre filettate****DIN 975 Varillas Roscadas****Quality: 4.8 / 5.8 / 6.8 / 10.9 / 12.9 / B7****Length: 1M – 2M – 3M – 4M – 5M****Coating Type: Zinc Plated / Hot Dip Galvanized / Geomet / Black Oxide**

Size - D	Pitch	L	WEIGHT KG /1000 PCS for 1 meter
M5	0.8	FT – 1M TO 5M	124
M6	1	FT – 1M TO 5M	177
M8	1.25	FT – 1M TO 5M	319
M10	1.5	FT – 1M TO 5M	500
M12	1.75	FT – 1M TO 5M	725
M14	2	FT – 1M TO 5M	970
M16	2	FT – 1M TO 5M	1330
M18	2.5	FT – 1M TO 5M	1650
M20	2.5	FT – 1M TO 5M	2080
M22	2.5	FT – 1M TO 5M	2540
M24	3	FT – 1M TO 5M	3000
M27	3	FT – 1M TO 5M	3850
M30	3.5	FT – 1M TO 5M	4750
M33	3.5	FT – 1M TO 5M	5900
M36	4	FT – 1M TO 5M	6900
M39	4	FT – 1M TO 5M	8200
M42	4.5	FT – 1M TO 5M	9400
M45	4.5	FT – 1M TO 5M	11000
M48	5	FT – 1M TO 5M	12400
M52	5	FT – 1M TO 5M	14700
M56	5.5	FT – 1M TO 5M	16950
M60	5.5	FT – 1M TO 5M	19630
M64	6	FT – 1M TO 5M	22275
M68	4	FT – 1M TO 5M	25335
M72	6	FT – 1M TO 5M	28600

Intenfa Group Limited Company

www.intenfa.cominfo@intenfa.com

INTENFA GmbH

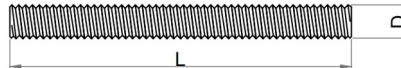
www.intenfa.deinfo@intenfa.de

INTENFA UK LIMITED

www.intenfa.co.uksales@intenfa.co.uk

INTENFA ED S.R.L.

www.intenfa.comromania@intenfa.com

DIN 976 Full Threaded Rods**DIN 976 Gewindestangen****DIN 976 Tige filetée****DIN 976 Barre filettate****DIN 976 Varillas Roscadas****Quality: 4.8 / 5.8 / 6.8 / 10.9 / 12.9 / B7****Length: 1M – 2M – 3M – 4M – 5M****Coating Type: Zinc Plated / Hot Dip Galvanized / Geomet / Black Oxide**

Size - D	Pitch	L	WEIGHT KG /1000 PCS for 1 meter
M5	0.8	FT – 1M TO 5M	124
M6	1	FT – 1M TO 5M	177
M8	1.25	FT – 1M TO 5M	319
M10	1.5	FT – 1M TO 5M	500
M12	1.75	FT – 1M TO 5M	725
M14	2	FT – 1M TO 5M	970
M16	2	FT – 1M TO 5M	1330
M18	2.5	FT – 1M TO 5M	1650
M20	2.5	FT – 1M TO 5M	2080
M22	2.5	FT – 1M TO 5M	2540
M24	3	FT – 1M TO 5M	3000
M27	3	FT – 1M TO 5M	3850
M30	3.5	FT – 1M TO 5M	4750
M33	3.5	FT – 1M TO 5M	5900
M36	4	FT – 1M TO 5M	6900
M39	4	FT – 1M TO 5M	8200
M42	4.5	FT – 1M TO 5M	9400
M45	4.5	FT – 1M TO 5M	11000
M48	5	FT – 1M TO 5M	12400
M52	5	FT – 1M TO 5M	14700
M56	5.5	FT – 1M TO 5M	16950
M60	5.5	FT – 1M TO 5M	19630
M64	6	FT – 1M TO 5M	22275
M68	4	FT – 1M TO 5M	25335
M72	6	FT – 1M TO 5M	28600

Intenfa Group Limited Company

www.intenfa.cominfo@intenfa.com

INTENFA GmbH

www.intenfa.deinfo@intenfa.de

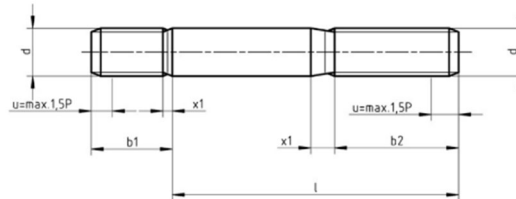
INTENFA UK LIMITED

www.intenfa.co.uksales@intenfa.co.uk

INTENFA ED S.R.L.

www.intenfa.comromania@intenfa.com

DIN 835 Stud Bolts
 DIN 835 Stiftschrauben
 DIN 835 Goujons
 DIN 835 Viti Prigioniere
 DIN 835 Espárragos
 Quality: 5.8 / 8.8 / 10.9
 Coating Type: Zinc Plated / Hot Dip Galvanized / Geomet / Black Oxide



DIA. (d)	Pitch	b1	(b2) L < 125	(b2) L = 125- 200	(b2) L ≥ 200	X1
M8	1.25	16	22	28	—	3.2
M10	1.5	20	26	30	45	3.8
M12	1.75	24	30	36	49	4.3
M14	2	28	34	40	53	5
M16	2	32	38	44	57	5
M18	2.5	36	42	48	61	6.3
M20	2.5	40	46	52	65	6.3
M22	2.5	44	50	56	69	6.3
M24	3	48	54	60	73	7.5

Intenfa Group Limited Company

www.intenfa.com

info@intenfa.com

INTENFA GmbH

www.intenfa.de

info@intenfa.de

INTENFA UK LIMITED

www.intenfa.co.uk

sales@intenfa.co.uk

INTENFA ED S.R.L.

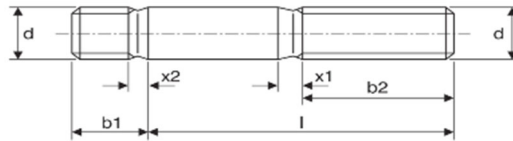
www.intenfa.com

romania@intenfa.com

DIN 938 Stud Bolts
 DIN 938 Stiftschrauben
 DIN 938 Goujons
 DIN 938 Viti Prigioniere
 DIN 938 Espárragos

Quality: 5.8 / 8.8 / 10.9

Coating Type: Zinc Plated / Hot Dip Galvanized / Geomet / Black Oxide



DIA (d)	Pitch	b1	(b2) L < 125	(b2) L = 125- 200	(b2) L ≥ 200	X1	X2
M8	1.25	8	22	28	—	3.2	1.6
M10	1.5	10	26	32	45	3.8	1.9
M12	1.75	12	30	36	49	4.3	2.2
M14	2	14	34	40	53	5	2.5
M16	2	16	38	44	57	5	2.5
M18	2.5	18	42	48	61	6.3	3.2
M20	2.5	20	46	52	65	6.3	3.2
M22	2.5	22	50	56	69	6.3	3.2
M24	3	24	54	60	73	7.5	3.8
M27	3	27	60	66	79	7.5	3.8
M30	3.5	30	66	72	85	9	4.5
M33	3.5	33	72	78	91	9	4.5
M36	4	36	78	84	97	10	5
M39	4	39	84	90	103	10	5
M42	4.5	42	90	96	109	11	5.5
M45	4.5	45	96	102	115	11	5.5
M48	5	48	102	108	121	12.5	6.3
M52	5	52	110	116	129	12.5	6.3

Intenfa Group Limited Company

www.intenfa.com

info@intenfa.com

INTENFA GmbH

www.intenfa.de

info@intenfa.de

INTENFA UK LIMITED

www.intenfa.co.uk

sales@intenfa.co.uk

INTENFA ED S.R.L.

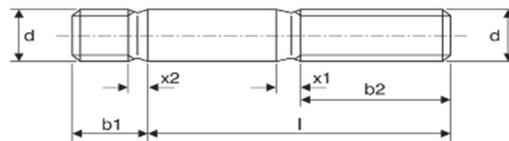
www.intenfa.com

romania@intenfa.com

DIN 939 Stud Bolts
 DIN 939 Stiftschrauben
 DIN 939 Goujons
 DIN 939 Viti Prigioniere
 DIN 939 Espárragos

Quality: 5.8 / 8.8 / 10.9

Coating Type: Zinc Plated / Hot Dip Galvanized / Geomet / Black Oxide



DIA (d)	Pitch	1.25XD (B1)	(B2) L < 125	(B2) L = 125-200	(B2) L ≥ 200	X1	X2
M8	1.25	10	22	28	–	3.2	1.6
M10	1.5	12	26	32	45	3.8	1.9
M12	1.75	15	30	36	49	4.3	2.2
M14	2	18	34	40	53	5	2.5
M16	2	20	38	44	57	5	2.5
M18	2.5	22	42	48	61	6.3	3.2
M20	2.5	25	46	52	65	6.3	3.2
M22	2.5	28	50	56	69	6.3	3.2
M24	3	30	54	60	73	7.5	3.8
M27	3	35	60	66	79	7.5	3.8
M30	3.5	38	66	72	85	9	4.5
M33	3.5	42	72	78	91	9	4.5
M36	4	45	78	84	97	10	5
M39	4	50	84	90	103	10	5
M42	4.5	52	90	96	109	11	5.5
M45	4.5	58	98	102	115	11	5.5
M48	5	60	102	108	121	13	6.3
M52	5	65	110	116	129	13	6.3

Intenfa Group Limited Company

www.intenfa.com

info@intenfa.com

INTENFA GmbH

www.intenfa.de

info@intenfa.de

INTENFA UK LIMITED

www.intenfa.co.uk

sales@intenfa.co.uk

INTENFA ED S.R.L.

www.intenfa.com

romania@intenfa.com

SPECIAL DRAWING ANCHOR BOLTS – U BOLTS

SPEZIELLE ANKERBOLZEN

BOULONS D'ANCRAGE SPÉCIAUX

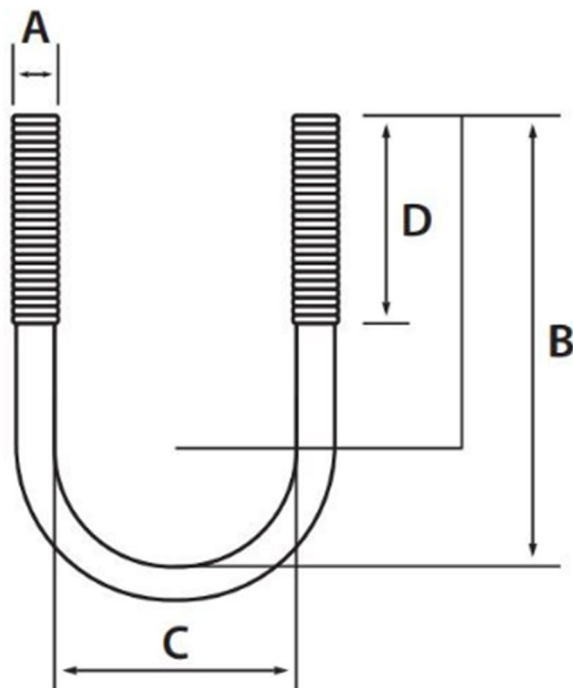
CAVALLOTTI – U

PERNOS DE ANCLAJE ESPECIALES

Quality: 5.8 / 8.8 / 10.9

Coating Type: Zinc Plated / Hot Dip Galvanized / Geomet / Black Oxide

Diameter: M8 to M200



Intenfa Group Limited Company

www.intenfa.com

info@intenfa.com

INTENFA GmbH

www.intenfa.de

info@intenfa.de

INTENFA UK LIMITED

www.intenfa.co.uk

sales@intenfa.co.uk

INTENFA ED S.R.L.

www.intenfa.com

romania@intenfa.com

SPECIAL DRAWING ANCHOR BOLTS – L TYPE BOLTS

SPEZIELLE ANKERBOLZEN

BOULONS D'ANCRAGE SPÉCIAUX

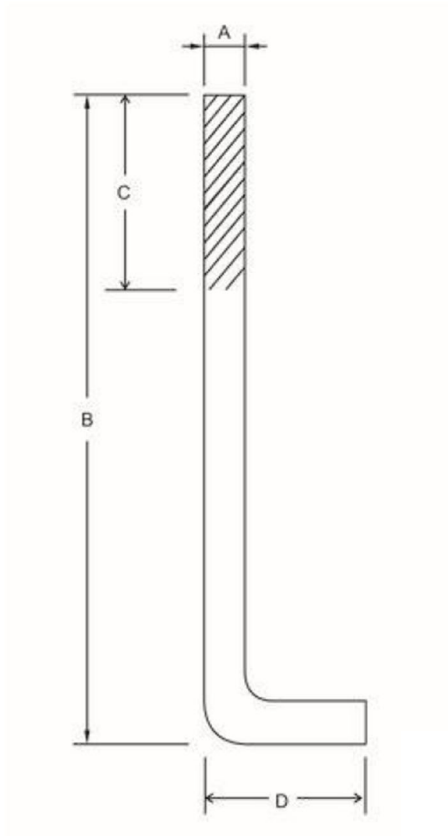
CAVALLOTTI – L

PERNOS DE ANCLAJE ESPECIALES

Quality: 5.8 / 8.8 / 10.9

Coating Type: Zinc Plated / Hot Dip Galvanized / Geomet / Black Oxide

Diameter: M8 to M200



Intenfa Group Limited Company

www.intenfa.com

info@intenfa.com

INTENFA GmbH

www.intenfa.de

info@intenfa.de

INTENFA UK LIMITED

www.intenfa.co.uk

sales@intenfa.co.uk

INTENFA ED S.R.L.

www.intenfa.com

romania@intenfa.com

SPECIAL DRAWING STUD BOLTS

SPEZIELLE ANKERBOLZEN

BOULONS D'ANCRAGE SPÉCIAUX

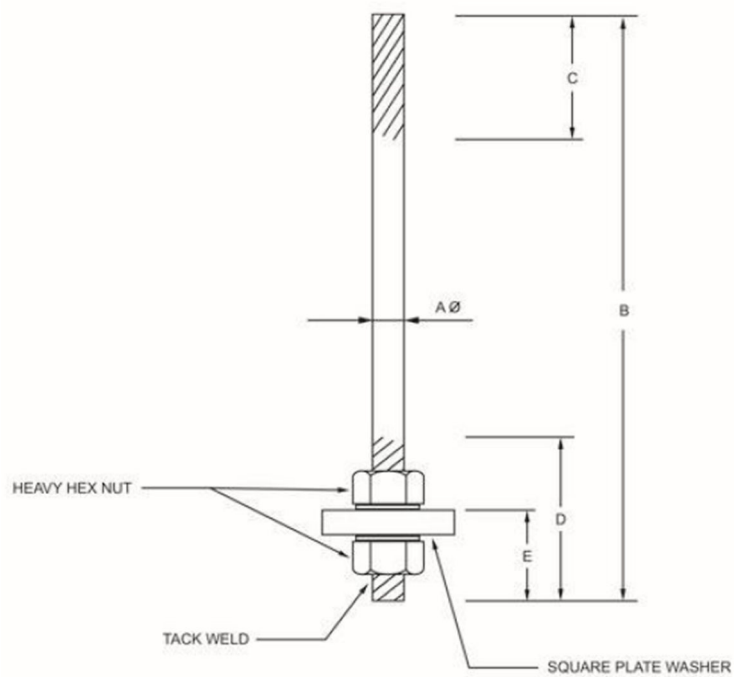
TIRANTI

PERNOS PRISIONEROS DE DIBUJO ESPECIAL

Quality: 5.8 / 8.8 / 10.9

Coating Type: Zinc Plated / Hot Dip Galvanized / Geomet / Black Oxide

Diameter: M10 to M200



Intenfa Group Limited Company

www.intenfa.com

info@intenfa.com

INTENFA GmbH

www.intenfa.de

info@intenfa.de

INTENFA UK LIMITED

www.intenfa.co.uk

sales@intenfa.co.uk

INTENFA ED S.R.L.

www.intenfa.com

romania@intenfa.com

SPECIAL DRAWING ANCHOR BOLTS – J TYPE BOLTS

SPEZIELLE ANKERBOLZEN

BOULONS D'ANCRAGE SPÉCIAUX

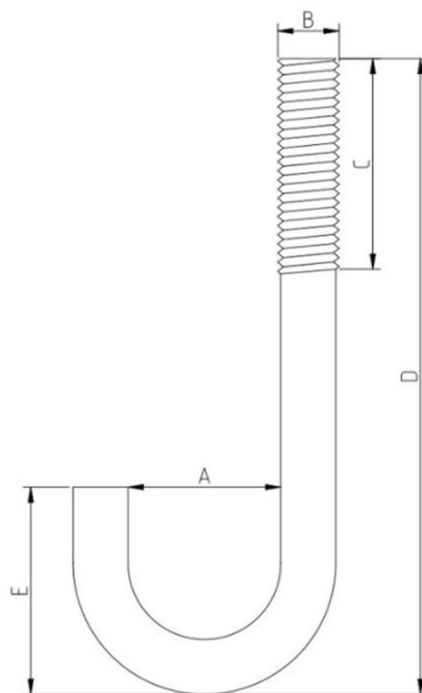
CAVALLOTTI – J

PERNOS DE ANCLAJE ESPECIALES

Quality: 5.8 / 8.8 / 10.9

Coating Type: Zinc Plated / Hot Dip Galvanized / Geomet / Black Oxide

Diameter: M8 to M200



Intenfa Group Limited Company

www.intenfa.com

info@intenfa.com

INTENFA GmbH

www.intenfa.de

info@intenfa.de

INTENFA UK LIMITED

www.intenfa.co.uk

sales@intenfa.co.uk

INTENFA ED S.R.L.

www.intenfa.com

romania@intenfa.com